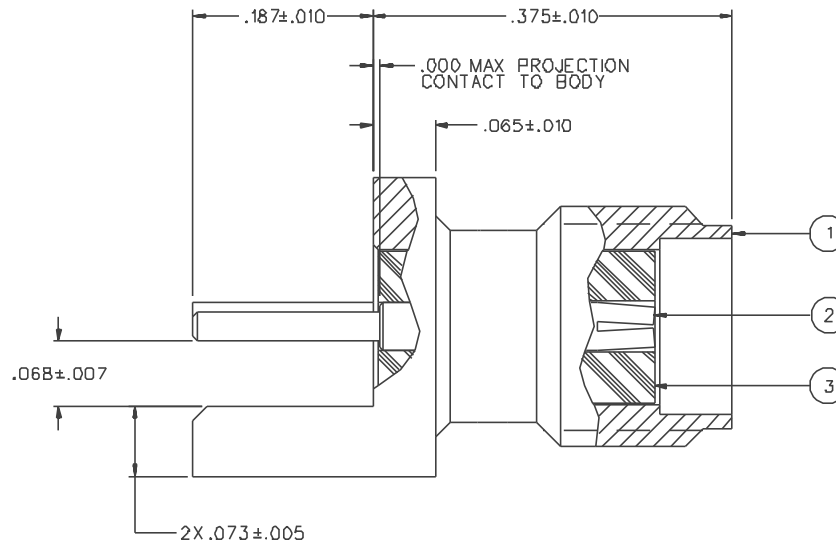
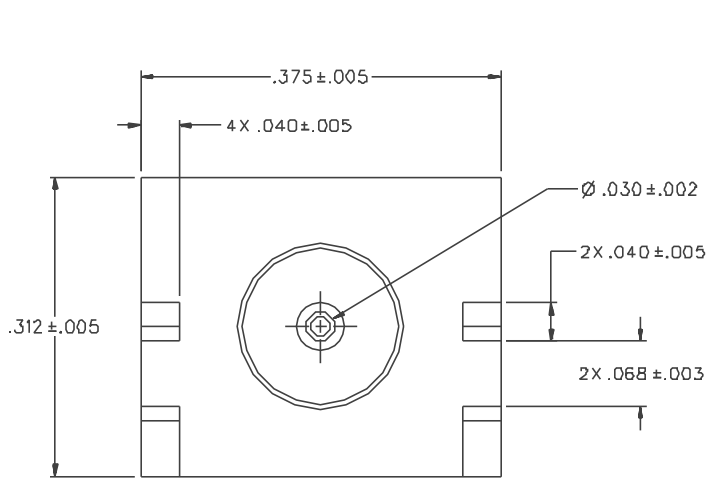


PART NUMBER	ITEM ① BODY	ITEM ② CONTACT	ITEM ③ INSULATOR
142-D7D1-B01	BRASS GOLD PL .00001 MIN OVER NICKEL PL .00005 MIN OVER COPPER PL .00005 MIN	BERYLLIUM COPPER GOLD PL .00005 MIN OVER NICKEL PL .00005 MIN OVER COPPER PL .00005 MIN	TEFLON
142-D7D1-B06	BRASS NICKEL PL .0001 MIN OVER COPPER PL .00005 MIN	BERYLLIUM COPPER GOLD PL .00005 MIN OVER NICKEL PL .00005 MIN OVER COPPER PL .00005 MIN	TEFLON



NOTES:

1. SPECIFICATIONS:

IMPEDANCE: 50 OHMS
 FREQUENCY RANGE: 0-18 GHz
 VSWR: NOT APPLICABLE
 WORKING VOLTAGE: 335 VRMS MAX AT SEA LEVEL
 DIELECTRIC WITHSTANDING VOLTAGE: 1000 VRMS MIN AT SEA LEVEL
 INSULATION RESISTANCE: 5000 MEGOHM MIN
 CONTACT RESISTANCE:
 CENTER CONTACT - INITIAL 3.0 MILLIOHM MAX, AFTER ENVIRONMENTAL 4.0 MILLIOHM MAX
 OUTER CONDUCTOR - INITIAL 2.0 MILLIOHM MAX AFTER ENVIRONMENTAL NOT APPLICABLE
 BRAID TO BODY - NOT APPLICABLE
 CORONA LEVEL: 250 VOLTS MIN AT 70,000 FEET
 INSERTION LOSS: NOT APPLICABLE
 RF LEAKAGE: NOT APPLICABLE
 RF HIGH POTENTIAL WITHSTANDING VOLTAGE: 670 VRMS MIN AT 4 AND 7MHZ

MECHANICAL:

ENGAGE/DISENGAGE TORQUE: 2 INCH-POUNDS MAX
 MATING TORQUE: 7-10 INCH POUNDS
 COUPLING PROOF TORQUE: NOT APPLICABLE
 COUPLING NUT RETENTION: NOT APPLICABLE
 CONTACT RETENTION: 6 LBS MIN AXIAL FORCE
 4 IN-OZ MIN RADIAL TORQUE
 CABLE ACCEPTABILITY: NOT APPLICABLE
 CABLE HEX CRIMP SIZE: NOT APPLICABLE
 CABLE RETENTION: NOT APPLICABLE
 DURABILITY: 500 CYCLES MIN

ENVIRONMENTAL:

(MEETS OR EXCEEDS THE APPLICABLE PARAGRAPH OF MIL-PRF-39012)
 THERMAL SHOCK: MIL-STD-202, METHOD 107, CONDITION B
 OPERATING TEMPERATURE: -65 DEG C TO 165 DEG C
 CORROSION: MIL-STD-202, METHOD 101, CONDITION B
 SHOCK: MIL-STD-202, METHOD 213, CONDITION I
 VIBRATION: MIL-STD-202, METHOD 204, CONDITION D
 MOISTURE RESISTANCE: MIL-STD-202, METHOD 106

DRAWING NO. C - 142-0701-801/810	
0 REVISIONS	
ENGINEERING RELEASE	
03	01-12-89 [E] [H] [S] [D] [C] [R] [A] [M] [P] [L] [B] [U] [G] [O] [N] [E] [S] [I] [O] [N] [E] [C] [O] 23856
ADDED: 2X .075+- .005, .065+- .010, .187+- .010 DELETED: .573+- .015, .562+- .010 CHANGED: UPDATED GRAPHICS, .040+- .005 WAS +- .010.	
4	7-16-90 [H] [S] [D] [C] [R] [A] [M] [P] [L] [B] [U] [G] [O] [N] [E] [S] [I] [O] [N] [E] [C] [O] 41345
VERSION UPDATE	
5	9-6-91 [R] [H] [S] [D] [C] [R] [A] [M] [P] [L] [B] [U] [G] [O] [N] [E] [S] [I] [O] [N] [E] [C] [O] 40532
ADDED: NOTE 2, .025+- .010 CHANGED: 2X .068+- .003 WAS 2X .068+- .003	
6	10-21-92 [R] [H] [S] [D] [C] [R] [A] [M] [P] [L] [B] [U] [G] [O] [N] [E] [S] [I] [O] [N] [E] [C] [O] 41345
CHANGED: .068+- .007 WAS .068+- .006, UPDATED GRAPHICS	
6a	2-21-94 [R] [H] [S] [D] [C] [R] [A] [M] [P] [L] [B] [U] [G] [O] [N] [E] [S] [I] [O] [N] [E] [C] [O] 42220
CHANGED: -.805 "R", .075/.055 WAS .068+- .007 AND "C", .071/.055 WAS .068+- .003	
6b	6-13-94 [R] [H] [S] [D] [C] [R] [A] [M] [P] [L] [B] [U] [G] [O] [N] [E] [S] [I] [O] [N] [E] [C] [O] 42516
ADDED: .000 MAX PROJECTION, CUT AWAY FLANGE DETAIL CHANGED: 2X .068+- .003 WAS 2X "C", .068+- .007 WAS "B", 4X .040+- .004 WAS 2X .040+- .004 DELETED: .025+- .005, NOTE 7 TABULATED DIMENSIONS "B" & "C" & REMARKS, P/N 142-0701-B05	
7	10-24-96 [R] [H] [S] [D] [C] [R] [A] [M] [P] [L] [B] [U] [G] [O] [N] [E] [S] [I] [O] [N] [E] [C] [O] 44272
VERSION UPDATE	
B	2-26-99 [R] [H] [S] [D] [C] [R] [A] [M] [P] [L] [B] [U] [G] [O] [N] [E] [S] [I] [O] [N] [E] [C] [O] 46211
VERSION UPDATE	
* REVISION NUMBER FOLLOWED BY AN ALPHA * * CHARACTER INDICATES DRAWING CLASS - * * CATION OR PART NUMBER ADDITION ONLY. *	
8a	8-13-01 [H] [S] [D] [C] [R] [A] [M] [P] [L] [B] [U] [G] [O] [N] [E] [S] [I] [O] [N] [E] [C] [O] 47953

CUSTOMER DRAWING

THIS DRAWING TO BE INTERPRETED PER ANSY 14.5M - 1982

"μSTATION"

COMPANY CONFIDENTIAL

TOLERANCE UNLESS OTHERWISE SPECIFIED	DRAWN BY EJ	DATE 1-12-89	Johnson Components 299 Johnson Ave. P.O. Box 1732 Waseca, MN 56093-0832	
DECIMALS .XX	CHECKED BY RJE	DATE 6-12-89	TITLE JACK ASSEMBLY END LAUNCH SMA	
.XXX	APPROVED BY	DATE	CODE NO.	DRAWING NO. C - 142-0701-801/810
MATL	APPROVED BY	DATE	SCALE 10:1	U/N INCH SHEET 2 OF 2
FINISH	RELEASE DATE	6-14-89		